

Roller Heavy Duty  
Quad Roller DR4000

Certified by



Quality  
Endorsed  
Company



The DR4000 Heavy Duty Quad Roller with DR71 Wheel Series roller is a high performance product suits for residential or commercial door applications.

**Waiting Rating :**

~150 Kg per carriage, 300kg door weight

**Application:**

~Bottom Rolling Sliding Doors

Finish:

- Black Mill Finish

**Material:**

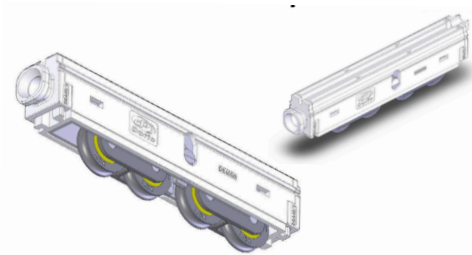
~Housing - Engineered Polymer

~Main Roller Holder & Middle Carriage - Stainless Steel

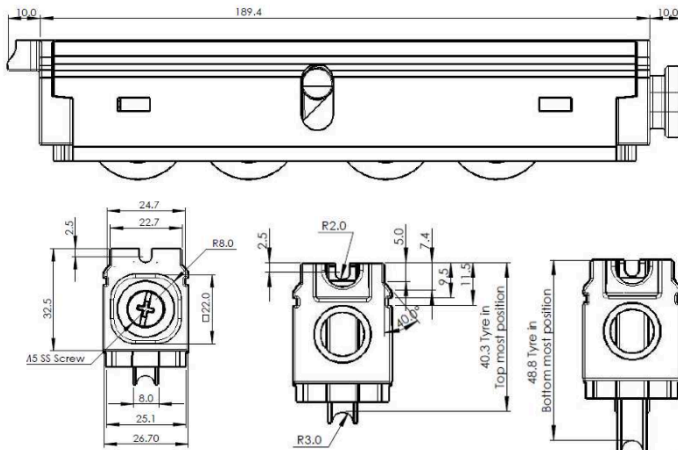
~Inner Carriage - High Pressure Cast Zinc (E-Coated)

~Pivot Pins and Axels - Stainless Steel

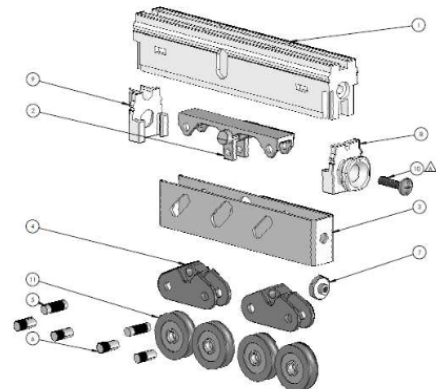
~Adjusting nut and screw - Stainless Steel



**DR4000 Quad Roller Assembly**



**DR4000 Quad Roller Assembly**



Item	Description
1	Outer Carriage
2	Main Roller Holder
3	Middle Carriage
4	Inner Carriage
5	Pivot Pin
6	Wheel Axel
7	Adjusting Nut
8	Front Adaptor
9	Back Adaptor
10	Adjusting Screw
11	DR71 Wheel Assembly with ZZ Bearing