



SECTION E

Hinged Door Hardware

| | |
|----------------------------------|-----------|
| Crest Locksets | E2 - E3 |
| Optimum Locksets | E4 - E8 |
| Lever Compression Lock | E9 |
| Twin Bolt French Door Lockset | E10 |
| Handle Sets | E11 - E12 |
| Cylinders | E13 - 14 |
| Securitem | E15 |
| Key in Knob Sets | E16 - 19 |
| Mechanical Bolts | E20 - E23 |
| Door Stops | E24 |

Crest 4-Point Mortice Lock



Inspired by the beauty of the New Zealand environment, the Crest Hinged Door Handle offers a stylish and contemporary look while combining superior functionality.

The Crest range of furniture provides a cohesive appearance to the hardware on all doors and windows in the home.

Application

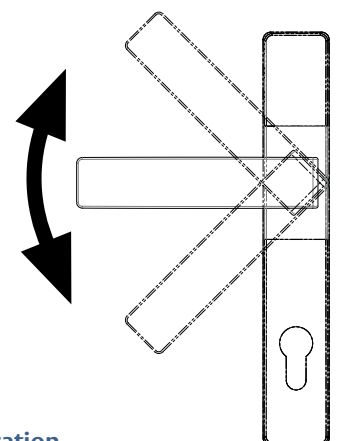
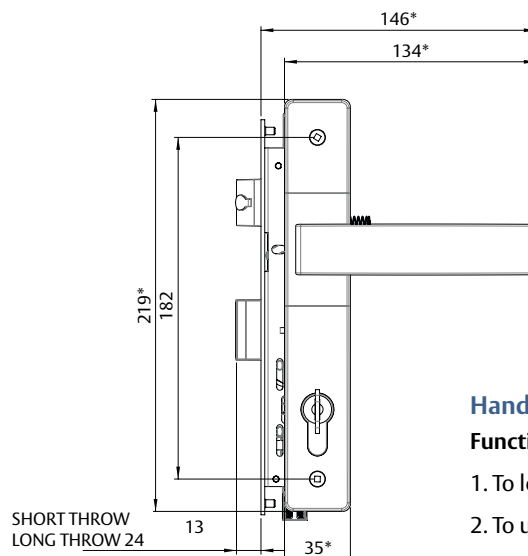
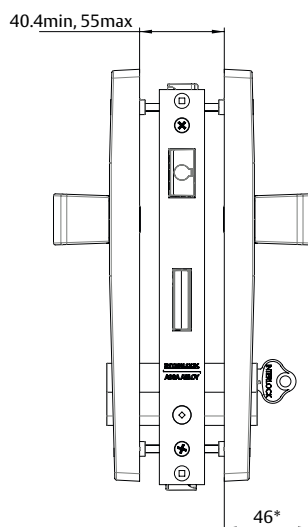
- Suitable for Residential, Architectural and Designer Thermal suites

Features

- New Zealand designed and made
- Four points of locking
- Sequencing of locking points can be in any order (can be locked with or without shootbolts thrown)
- Can be keyed alike with other Crest hardware in the home for one key convenience
- When used with the correct strike the lock generates optimum seal compression to provide improved water and air seal performance, especially for large panel doors
- The handing of the lockset is adjusted by reversing the orientation of the latch bolt
- Standard kits are supplied with furniture and keyed cylinder
- Achieves Australian Standards AS4145: 1993 (Part 2) Security Level S2 and Durability Level D2

Options

- Double cylinder, cylinder and turnknob, half cylinder or half turnknob
- Available in a wide range of powdercoat colours and satin chrome



* Dimensions shown are specific to Crest lever. Other styles may vary.

Handle Operation Function

1. To lock - turn key towards edge of door
2. To unlock - turn key away from edge of door
3. To throw shootbolts - lift handle up and release lever (either when locked or unlocked)
4. To retract shootbolts, ensure lock is unlocked. Push lever down and release

Crest 2-Point Mortice Lock



Inspired by the beauty of the New Zealand environment, the Crest Hinged Door Handle offers a stylish and contemporary look while combining superior functionality.

The Crest range of furniture provides a cohesive appearance to the hardware on all doors and windows in the home.

Application

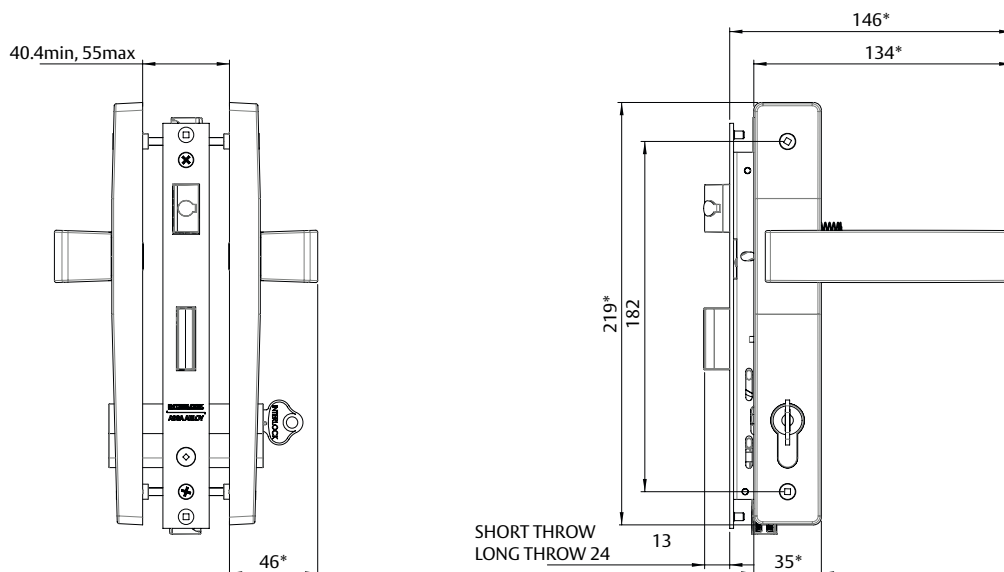
- Suitable for Residential, Architectural and Designer Thermal suites

Features

- New Zealand designed and made
- Two points of locking
- Sequencing of locking points can be in any order (can be locked with or without shootbolts thrown)
- Can be keyed alike with other Crest hardware in the home for one key convenience
- When used with the correct strike the lock generates optimum seal compression to provide improved water and air seal performance, especially for large panel doors
- The handing of the lockset is adjusted by reversing the orientation of the latch bolt
- Standard kits are supplied with furniture and keyed cylinder
- Achieves Australian Standards AS4145: 1993 (Part 2) Security Level S2 and Durability Level D2

Options

- Double cylinder, cylinder and turnknob, half cylinder or half turnknob
- Available in a wide range of powdercoat colours and satin chrome



*Dimensions shown are specific to Crest lever. Other styles may vary.

Optimum 4-Point Mortice Lock



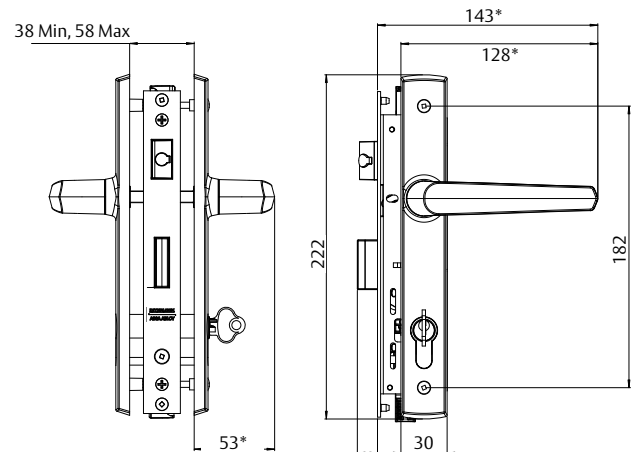
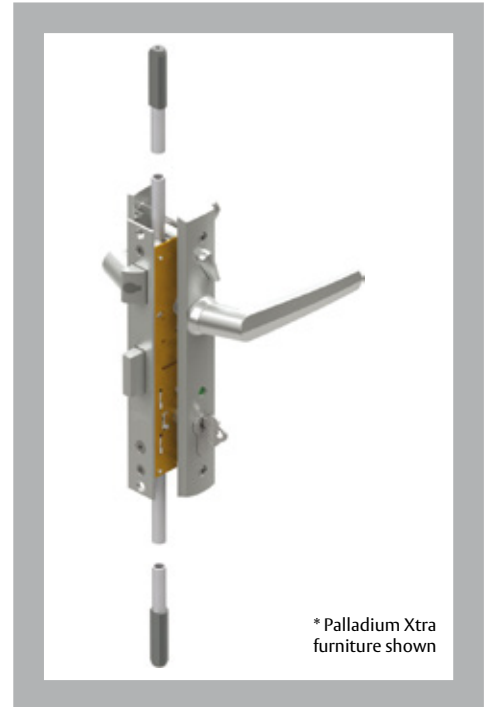
The Optimum Mortice Lock offers a new and improved locking system with enhanced furniture options available. When deadlocked, the Optimum 4-Point provides increased security with up to four points of locking. The shootbolt provides added security and seal compression, designed specifically for the New Zealand environment. See reverse for handle operation.

Features

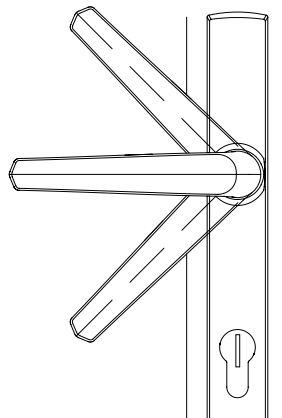
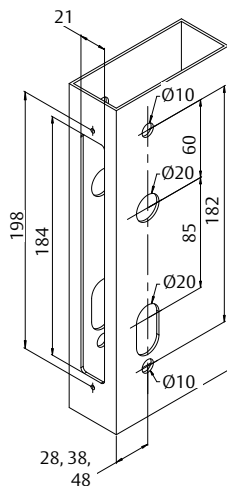
- Upgraded furniture option (Palladium Xtra) features LockAlert indicator which shows at a glance if the door has been deadlocked
- Upgraded furniture also comes with safety snib for at home security, enabling easy exit if required
- Features four points of locking including the latch, deadbolt and shootbolts
- Sequencing of locking points can be in any order (can be locked with or without shootbolts thrown)
- When used with the correct strike the lock generates optimum seal compression to provide improved water and air seal performance, especially for large panel doors
- The handing of the lockset is adjusted by reversing the orientation of the latch bolt
- Standard kits are supplied with furniture and keyed cylinder
- Can be keyed alike to other ASSA ABLOY CYL4™ 5-Pin locks for one key convenience
- Achieves Australian Standards AS4145: 2008 (Part 2) Security Level S6 and Durability Level D7
- New Zealand made

Options

- Available with 30mm, 40mm or 50mm backset
- Short Throw 4-Point
- Long Throw 4-Point
- Available with standard Verona and Palladium furniture or upgrade to Palladium Xtra with LockAlert and safety snib
- Double cylinder, cylinder and turnknob, half cylinder or half turnknob



* Dimensions shown are specific to Aria lever. Other styles may vary.



Handle Operation

Function

1. To lock - turn key towards edge of door
2. To unlock - turn key away from edge of door
3. To throw shootbolts - lift handle up and release lever (either when locked or unlocked)
4. To retract shootbolts, ensure lock is unlocked. Push lever down and release

Optimum 2-Point Mortice Lock



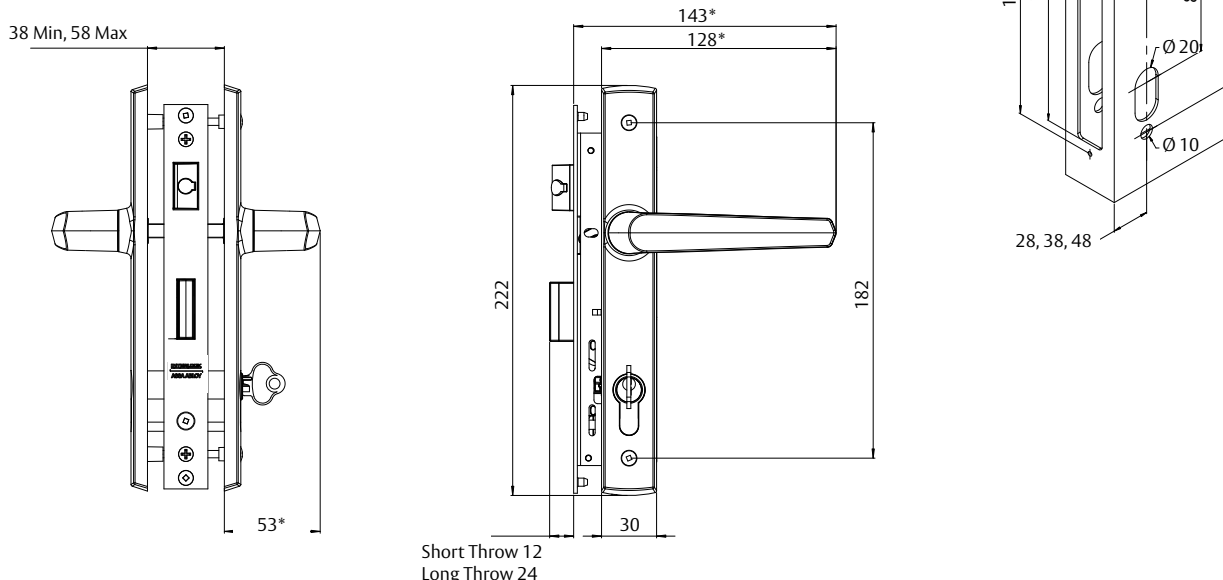
The Optimum Mortice Lock offers a new and improved locking system with enhanced furniture options available. When deadlocked, the Optimum 2-Point provides increased security with two points of locking. Made specifically for the New Zealand environment, this is an ideal locking solution.

Features

- Upgraded furniture option (Palladium Xtra) features LockAlert indicator which shows at a glance if the door has been deadlocked
- Upgraded furniture also comes with safety snib for at home security, enabling easy exit if required
- Features 2 points of locking including the latch and deadbolt
- The handing of the lockset is adjusted by reversing the orientation of the latch bolt
- Standard kits are supplied with furniture and keyed cylinder
- Can be keyed alike to other ASSA ABLOY CYL4™ 5-Pin locks for one key convenience
- Stainless steel forend plate
- Adjustable latch projection
- Achieves Australian Standards AS4145: 2008 (Part 2) Security Level S6 and Durability Level D7
- New Zealand made

Options

- Available with 30mm, 40mm or 50mm backset
- Short Throw 2-Point
- Long Throw 2-Point
- Available with standard Verona and Palladium furniture or upgrade to Palladium Xtra with LockAlert and safety snib
- Double cylinder, cylinder and turnknob, half cylinder or half turnknob



Optimum

4-Point Mortice Lock - Apex Mini-Lever Set



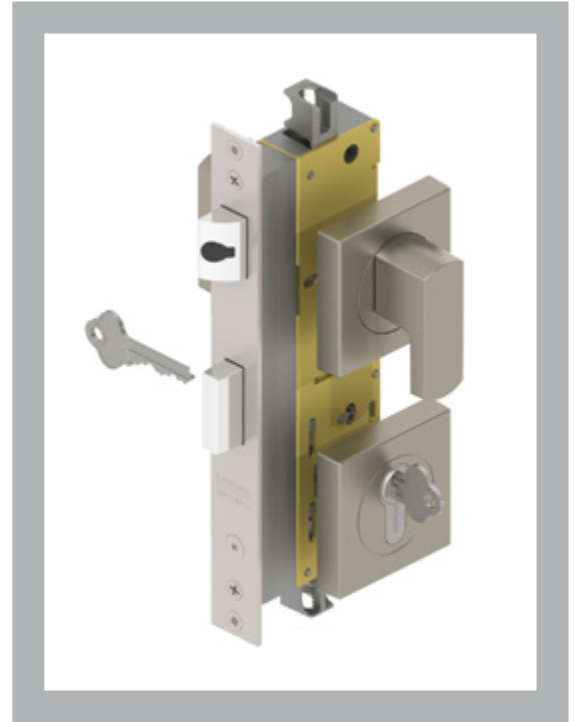
There is now a solution for those wanting to offer a multipoint locking system on entrance doors – the Apex Mini-Lever. The Apex Mini-Lever provides enough leverage to throw vertical rods, improving seal compression and security. It has been designed to be discreet, yet complementary to large pull handles. The Apex Mini-Lever is available in brushed nickel finish to match stainless steel hardware, and is kitted with the Optimum 4-Point, 50mm backset lock.

Features

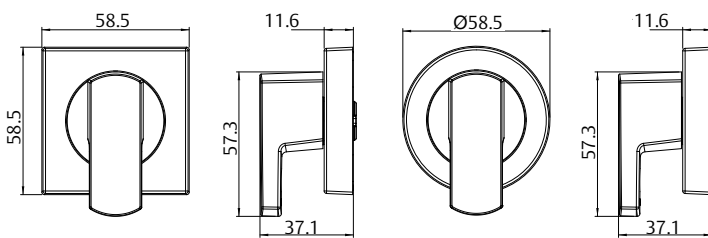
- Sleek, minimalist design
- Independently sprung lever
- Mini lever engages locking rods in head and sill for added security and weathertightness
- Smooth and easy operation of the lock
- Kits are supplied with Standard Euro Cylinder
- Can be keyed alike to other ASSA ABLOY CYL4™ profile locks for one key convenience
- Stainless Steel lock forend plate

Options

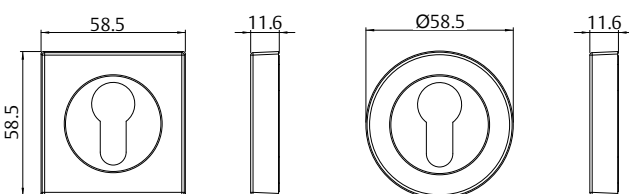
- Available with square or round escutcheons
- Double cylinder or cylinder and turnknob options available



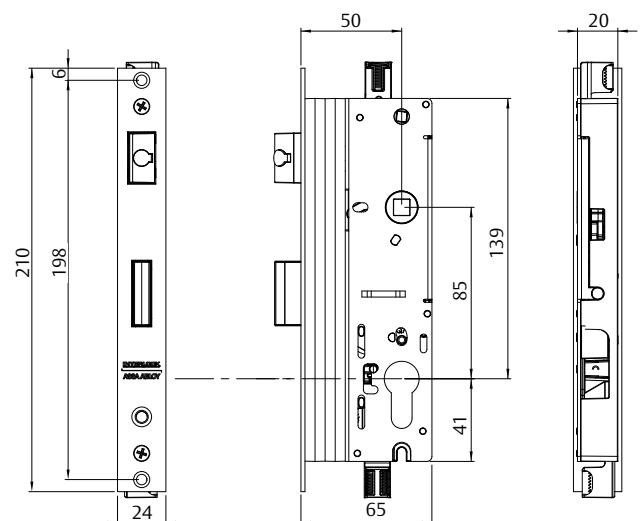
Apex Lever



Apex Cylinder Escutcheon



50mm Backset Optimum 4 Point



Optimum 1-Point Mortice Lock



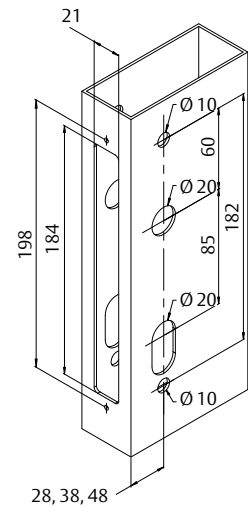
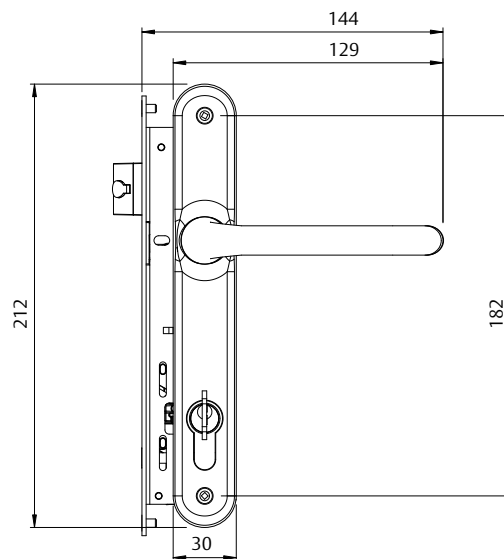
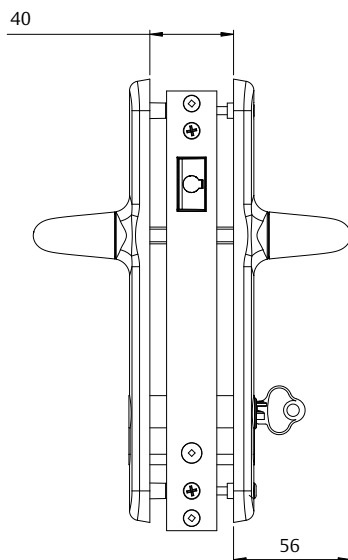
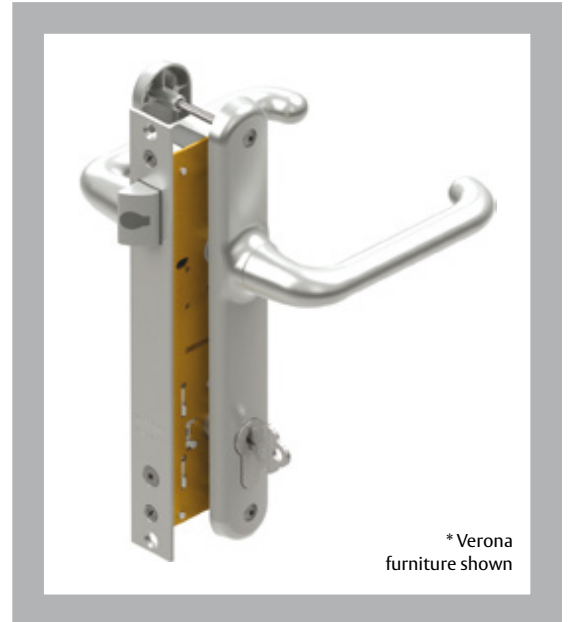
The Optimum Mortice Lock range offers a new and improved locking system. The Optimum 1-Point provides basic security suitable for residential applications.

Features

- The handing of the lockset is easily adjusted by reversing the orientation of the latch bolt
- Standard kits are supplied with furniture and keyed cylinder
- Can be keyed alike to other ASSA ABLOY CYL4™ 5-Pin locks for one key convenience
- Adjustable latch projection
- Stainless steel forend plate
- Achieves Australian Standards AS4145: 2008 (Part 2) Security Level S4 and Durability Level D7
- New Zealand made

Options

- Available with 30mm backset
- Available with standard Verona furniture
- Double cylinder, cylinder and turnknob, half cylinder or half turnknob



Optimum Roller Ball Lock



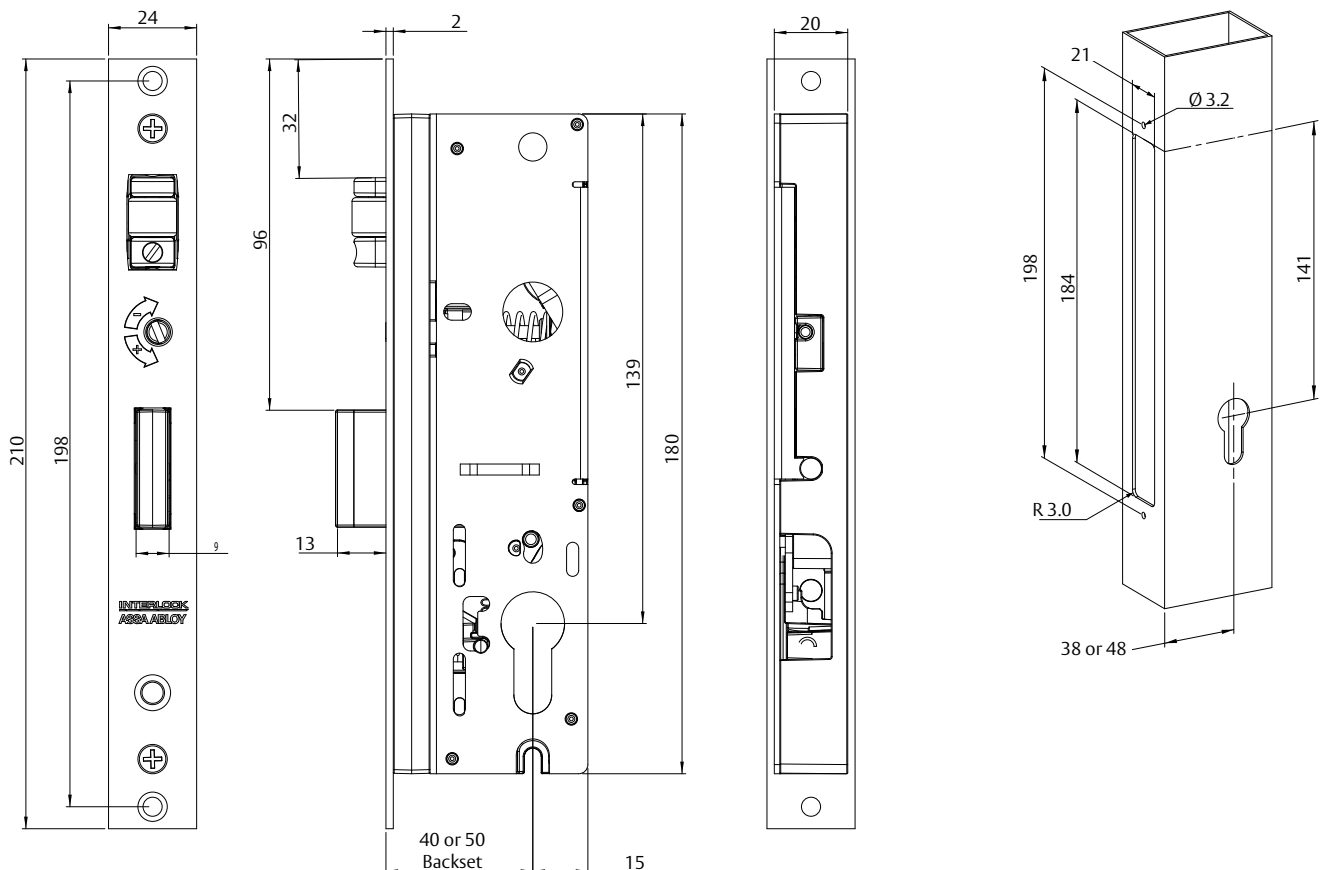
The Optimum Roller Ball Lock is designed to provide a roller ball locking option that suits a wide range of door sizes and applications. The design allows for optimal latch adjustment and positive latching, to suit most user needs.

Features

- Can be keyed alike to other ASSA ABLOY CYL4™ locks for one key convenience
- Adjustable latch projectioner
- Adjustable latching strength
- Stainless steel forend plate
- New Zealand made

Options

- Available in 40mm and 50mm backsets
- Double cylinder, cylinder and turnknob, half cylinder or half turnknob
- Strike options to suit timber & aluminium doors
- Available as lock only or as part of a pull handle kit



Lever Compression Lock 4-Point



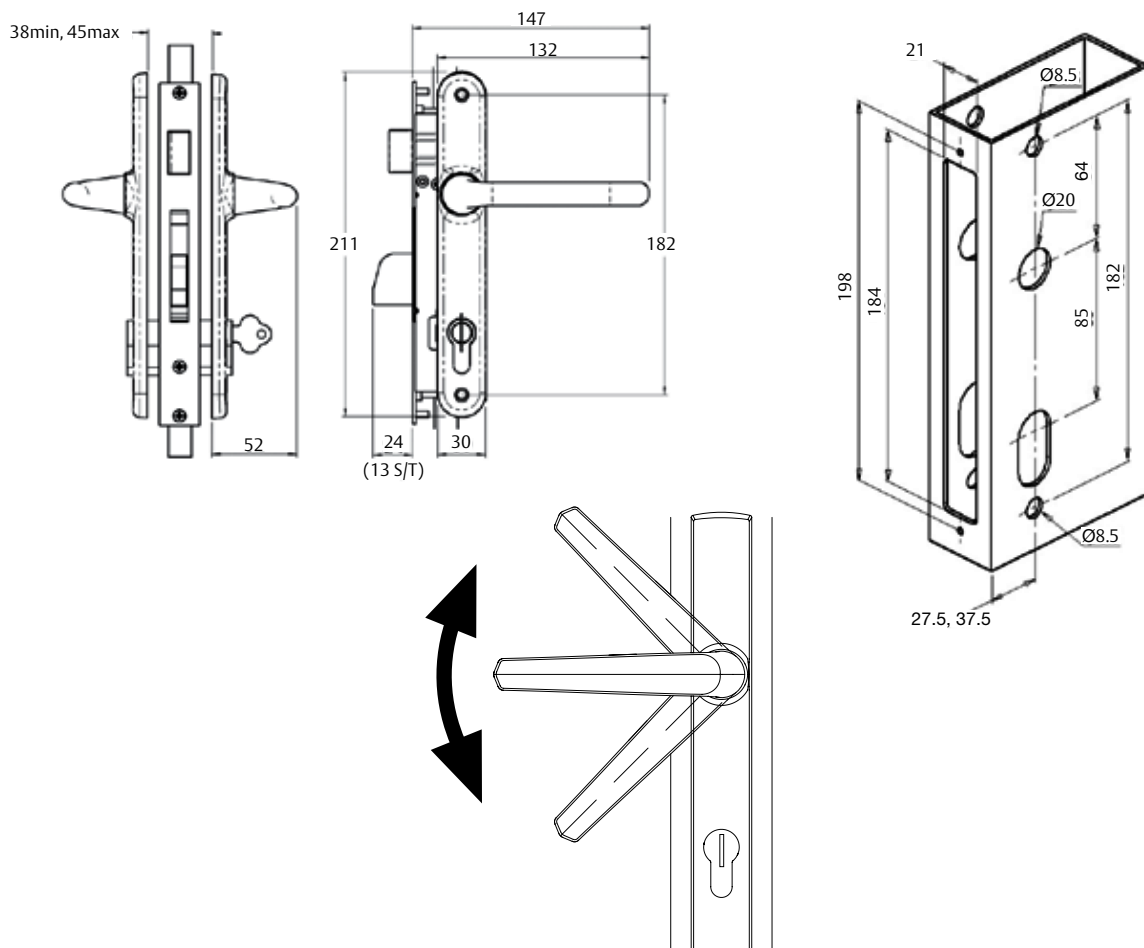
The Lever Compression Lock is a mortised, multipoint swing door lock, available in a 30mm or 40mm backset. The lift bolt and rods are driven off the latch actuating handle. This feature generates the compression required to provide the necessary water and air seal for large panels. Deadlocking is provided by a conventional key cylinder.

Features

- Upward motion of the handle activates deadbolt, shoot bolts and remote mechanisms
- Unique deadbolt design increases seal compression upon activation
- Generates superior air and water performance
- Up to four locking points
- Handing easily changed with removable latch bolt
- Multiple handle styles available

Options

- 30mm backset with diecast zinc faceplate available in 13mm or 24mm bolt lengths
- 40mm backset with stainless steel faceplate available in 13mm bolt length



Twin Bolt French Door Lockset



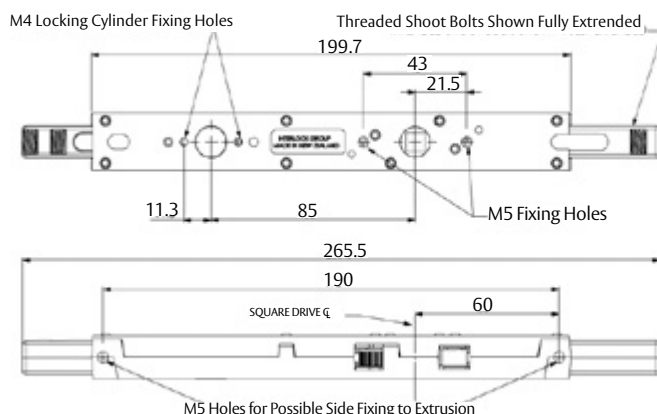
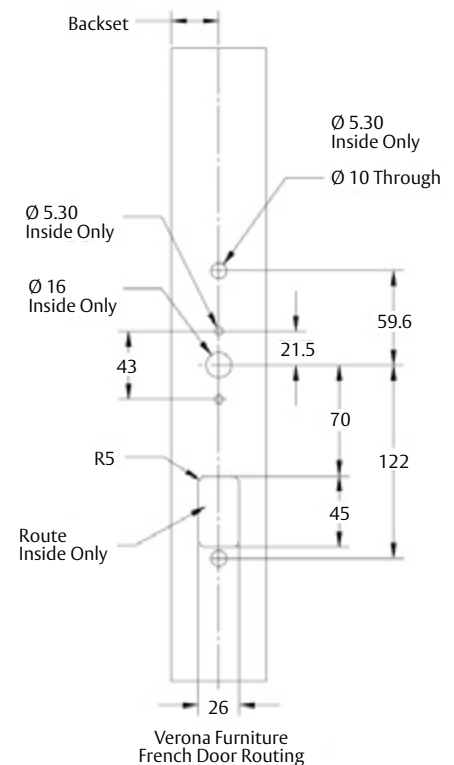
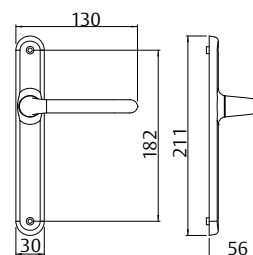
The Twin Bolt lock body has been designed for use on the passive leaf of a french door. The Twin Bolt combines security features with a practical design, fulfilling the needs created by architectural innovations within the residential and light commercial market. Suitable for use with aluminium or timber doors.

Features

- Standard rod length 1 x 1m + 1 x 1.3m.
- Provides two points of security with throw rods top and bottom (13mm throw)
- Practical, easy installation
- Zinc die-cast construction
- Standard moulded plastic packers and fixing screws provided
- Threaded rod connection provides easy adjustment
- Handle turning angle of 90°
- Twin Bolt lock body features internal locking only, with a C4 compatible cylinder
- The Twin Bolt - French Door option is available as a complete kit which includes the lock body, lock rods, handle set, aluminium suite screws, packers and drive bar
- Can be keyed alike to other ASSA ABLOY CYL4™ locks for one key convenience
- New Zealand made

Options

- Can be used with a Palladium or a Verona handle for french door applications
- Both handles available in a wide range of powdercoat colours and satin chrome finish
- Multipoint rod extension kit available
- Composite suite packer and screw pack also available



Palladium Door Handle Sets

The Palladium series is offered in eight lever styles. The handles have been created specifically for external doors with a long plate design which complements aluminium joinery. By having a range of levers, also available on other escutcheons within ASSA ABLOY's product range, customers can achieve a consistent look throughout the home by matching their internal and external door hardware.

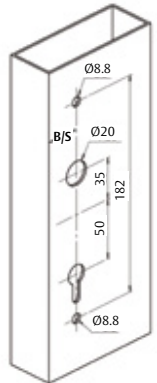
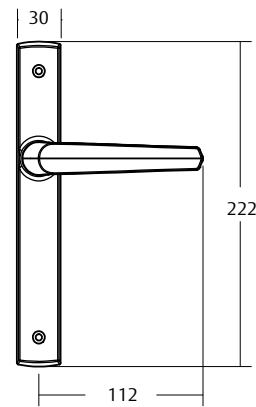
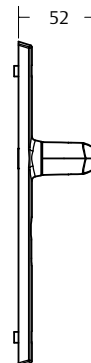
Features

- Can be used with Optimum and Twin Bolt locksets plus Pinnacle Bi-fold and Pinnacle French Door locksets
- New springing detail improves feel and performance
- Non-handed
- Strong zinc die-cast construction
- Fixing details identical to Verona handles, ideal for replacement situations
- New Zealand made

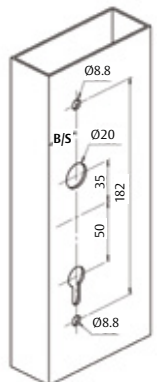
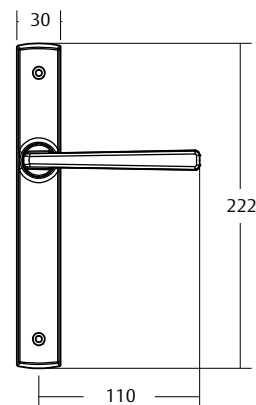
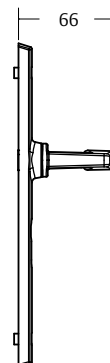
Options

- Locking
- Non-locking
- Fixed (dummy)
- Available in a wide range of powdercoat colours and satin chrome finish

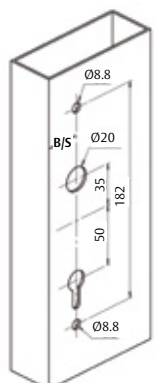
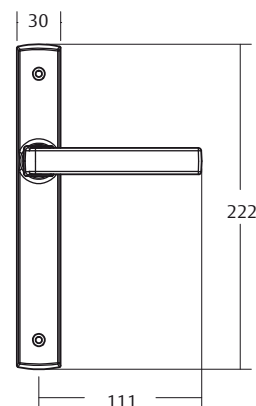
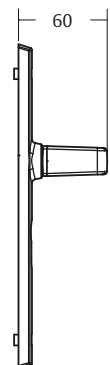
1. Aria (27)



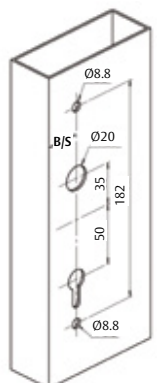
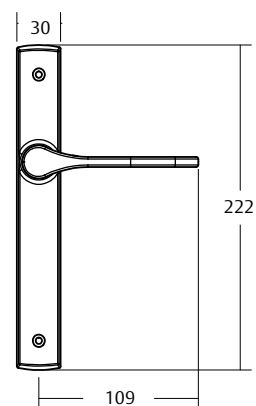
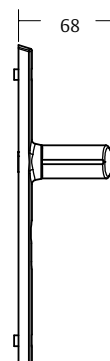
2. Hakea (28)



3. Acacia (29)



4. Saltbush (34)

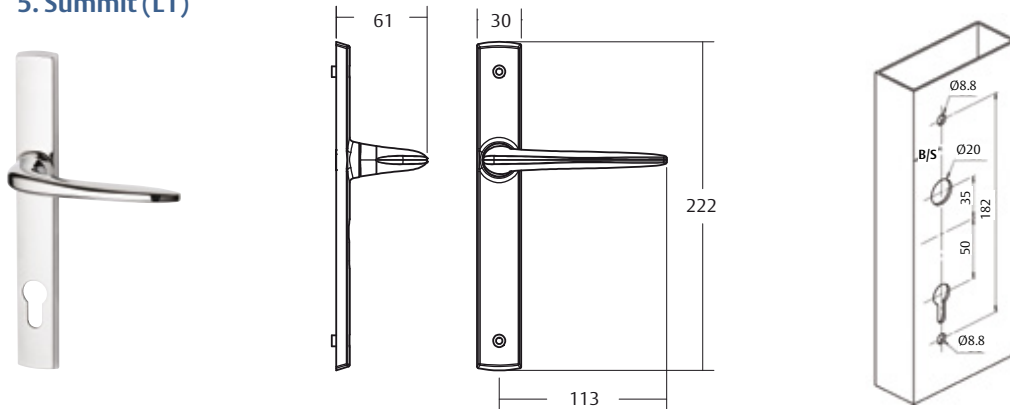


Note: B/S (backset): check relevant lock details for this dimensions

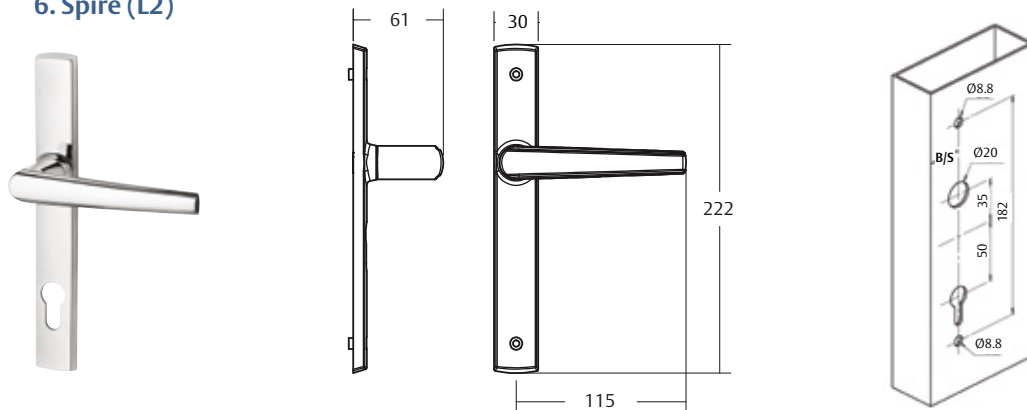
Hinged Door Hardware

Palladium Door Handle Sets

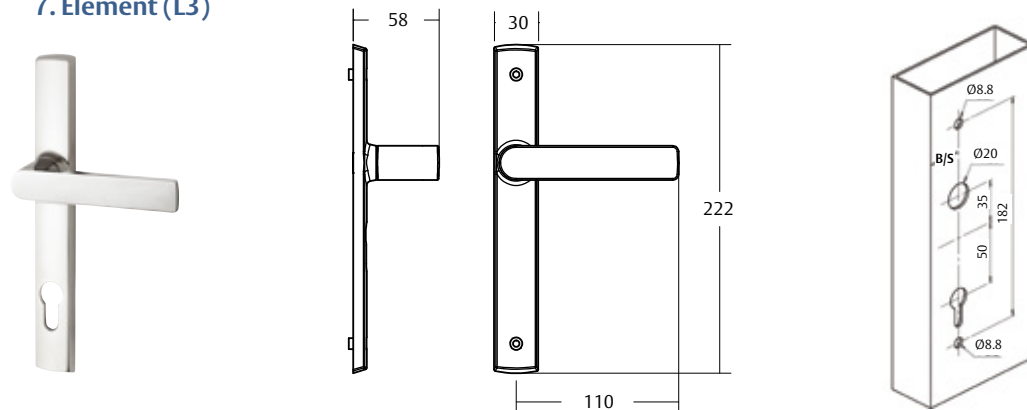
5. Summit (L1)



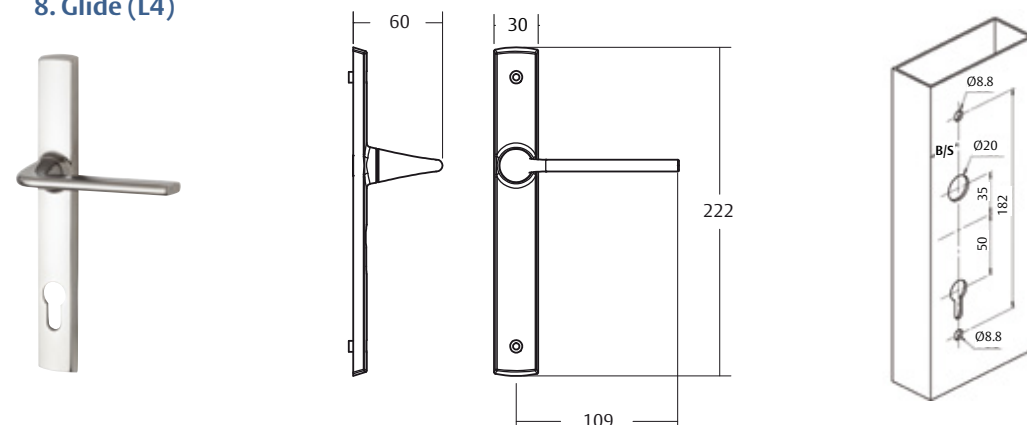
6. Spire (L2)



7. Element (L3)



8. Glide (L4)



Note: B/S (backset): check relevant lock details for this dimensions

Euro Cylinders

ASSA ABLOY offers a complete range of quality cylinders. There are a number of cylinder types available, each offering a range of functional and security-oriented features.

Features

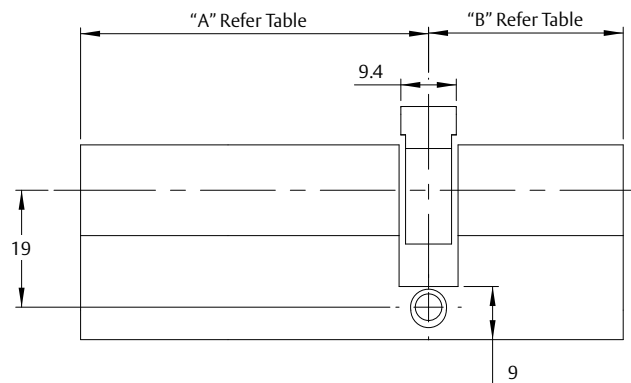
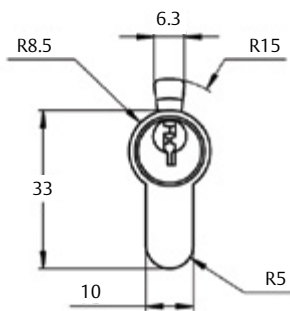
- Can be keyed alike to other ASSA ABLOY CYL4™ cylinders for one key convenience
- Construction key and master key systems are available upon request
- The Oval, Euro, Rim, and Key N Knob series are C4 compatible and available in 5 or 6-pin options
- Euro Cylinder Note: P3000E Emergency type double cylinder assemblies are MC35 Securiturn™ compatible

Key Compatible Cylinder Types

- C4 Pin Cylinder
 - P3000 Euro Cylinder Series
 - MC570 Oval Cylinder Series
 - MC17 Rim Cylinder Series
 - MC2600 Key N Knob Cylinder Series
 - 180250 Albany Sliding Door Cylinder
- C4 Wafer Cylinder
 - CYL4 Wafer Cylinder



E Type Cylinder



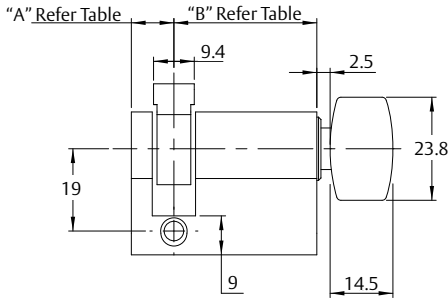
EURO 'E' TYPE DOUBLE CYLINDER

| PART NUMBER | NO. OF PINS | A | B | FINISH | COMMENTS/DESCRIPTIONS |
|-------------|-------------|----|----|----------|-----------------------------------|
| P33016E | 5 | 62 | 32 | S/CHROME | 5 PIN C4 WITH 5 PIN TRAP CUT MC35 |
| P33022E | 5 | 31 | 31 | S/CHROME | 5 PIN C4 WITH 5 PIN TRAP CUT MC35 |
| P33040E | 5 | 40 | 40 | S/CHROME | 5 PIN C4 WITH 5 PIN TRAP CUT MC35 |
| P33235E | 5 | 38 | 38 | S/CHROME | 5 PIN C4 WITH 5 PIN TRAP CUT MC35 |
| P33260E | 5 | 33 | 48 | S/CHROME | 5 PIN C4 WITH 5 PIN TRAP CUT MC35 |
| P33274E | 5/3 | 51 | 21 | S/CHROME | 5 PIN C4 WITH 3 PIN V CUT MC35 |
| P33275E | 3 | 21 | 21 | S/CHROME | 5 PIN C4 WITH 3 PIN V CUT MC35 |
| P33276E | 5 | 34 | 34 | S/CHROME | 5 PIN C4 WITH 3 PIN V CUT MC35 |
| P33280E | 3 | 24 | 24 | S/CHROME | 5 PIN C4 WITH 3 PIN V CUT MC35 |

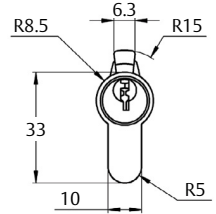
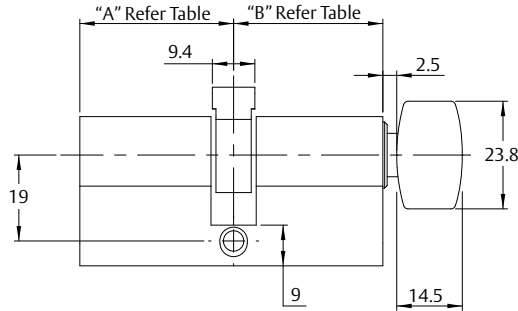
Hinged Door Hardware

Euro Cylinders

Half Cylinder



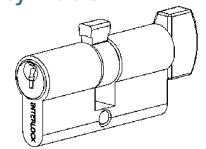
Full Cylinder



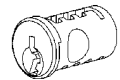
EURO CYLINDERS – FIXED CAM

| PART NUMBER | NO. OF PINS | A | B | FINISH | COMMENTS / DESCRIPTION |
|-------------|-------------|------|------|-----------|---|
| P33021 | 5 | 45 | 45 | S/CHROME | EXTENDED DOUBLE KEYED TO J001 |
| P33230 | 5 | 10 | 47.5 | POL BRASS | HALF CYLINDER TURN KNOB |
| P33231 | 5 | 10 | 47.5 | S/CHROME | HALF CYLINDER TURN KNOB |
| P33032 | 5 | 31 | 31 | POL BRASS | KEY & TURN KNOB |
| P33033 | 5 | 31 | 31 | POL BRASS | DOUBLE KEYED |
| P33034 | 5 | 31 | 31 | S/CHROME | KEY & TURN KNOB |
| P33035 | 5 | 31 | 31 | S/CHROME | DOUBLE KEY |
| P33045 | 5 | 10 | 31 | S/CHROME | HALF CYLINDER KEYED |
| P33046 | 6 | 35 | 35 | S/CHROME | DOUBLE KEYED WITH GRUB SCREW TOP PIN CLOSURE |
| P33047 | 6 | 35 | 35 | S/CHROME | KEY & TURN KNOB WITH GRUB SCREW TOP PIN CLOSURE |
| P33048 | 5 | 10 | 31 | POL BRASS | HALF CYLINDER KEYED |
| P33260 | 5 | 32.5 | 47.5 | S/CHROME | OFFSET CYLINDER DOUBLE KEY |
| P33261 | 5 | 32.5 | 47.5 | S/CHROME | OFFSET CYLINDER KEY & TURN KNOB |
| P33262 | 5 | 32.5 | 47.5 | POL BRASS | OFFSET CYLINDER DOUBLE KEY |
| P33263 | 5 | 32.5 | 47.5 | POL BRASS | OFFSET CYLINDER KEY & TURN KNOB |
| P33264 | 5 | 10 | 47.5 | S/CHROME | HALF CYLINDER KEYED |
| P33265 | 5 | 10 | 47.5 | POL BRASS | HALF CYLINDER KEYED |
| P33277 | 5 | 34 | 34 | S/CHROME | 5 PIN C4 |
| P33278 | 5 | 10 | 34 | S/CHROME | HALF CYLINDER TURN KNOB |
| P33279 | 5 | 10 | 34 | S/CHROME | HALF CYLINDER 5 PIN C4 |
| P33066 | 4 | 10 | 25.5 | S/CHROME | HALF CYLINDER KEYED TO J81-J90 |
| P33067 | 4 | 10 | 25.5 | POL BRASS | HALF CYLINDER KEYED |
| P33071 | 6 | 35 | 35 | POL BRASS | KEY & TURN KNOB |
| P33072 | 6 | 35 | 35 | POL BRASS | DOUBLE KEYED |
| P33092 | 5 | 10 | 31 | S/CHROME | HALF CYLINDER TURN KNOB |
| P33093 | 5 | 10 | 31 | POL BRASS | HALF CYLINDER TURN KNOB |
| P33245 | 5 | 10 | 37.5 | S/CHROME | HALF CYLINDER KEYED |
| P33292 | 5 | 10 | 37.5 | S/CHROME | HALF CYLINDER TURN KNOB |
| P33235 | 5 | 37.5 | 37.5 | S/CHROME | EXTENDED DOUBLE KEYED |
| P33234 | 5 | 37.5 | 37.5 | S/CHROME | EXTENDED KEY & TURN KNOB |
| P33233 | 5 | 37.5 | 37.5 | POL BRASS | EXTENDED DOUBLE KEYED |
| P33232 | 5 | 37.5 | 37.5 | POL BRASS | EXTENDED KEY & TURN KNOB |
| P33231 | 5 | 32.5 | 47.5 | S/CHROME | OFFSET TURN KNOB |
| P33230 | 5 | 32.5 | 47.5 | POL BRASS | OFFSET TURN KNOB |
| P33017 | 5 | 62 | 32 | S/CHROME | OFFSET CYLINDER TURN KNOB |
| P33041 | 5 | 40 | 40 | S/CHROME | EXTENDED CYLINDER KEY & TURN KNOB |
| P33042 | 5 | 10 | 40 | S/CHROME | HALF CYLINDER KEYED |
| P33043 | 5 | 10 | 40 | S/CHROME | HALF CYLINDER TURN KNOB |

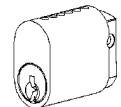
Key Compatible Cylinders



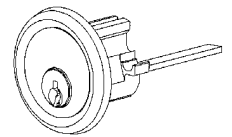
P3000 Series



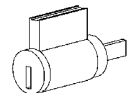
CYL 4



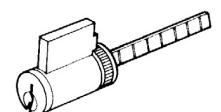
MC570 Series



MC17 Series



MC2600 Series



180250

EURO CYLINDERS – FLOATING/LAZY CAM

| PART NUMBER | NO. OF PINS | A | B | FINISH | COMMENTS / DESCRIPTION |
|-------------|-------------|------|------|----------|---|
| P33119 | 5 | 37.5 | 37.5 | S/CHROME | EXTENDED DOUBLE KEYED WITH 143° LOST MOTION CAM |
| P33097 | 5 | 31 | 31 | S/CHROME | DOUBLE KEYED WITH 143° LOST MOTION CAM |

Securiturn Thumbturn

The Securiturn™ is a convenient, safe and secure removable thumbturn for double cylinder locks, which can be easily removed when the building is secured, using a release key. The innovative design allows new and existing double cylinders to have the everyday convenience of the thumbturn which can be removed when the premises are unoccupied.

Features

- Easy to operate
- Simple but effective security
- Incorporates safety when utilising double cylinder locks
- Thumbturn with 'Red Safe Plug' conforms to NZ Building Act "Means of Escape" clause 7.2.2
- Precision design and quality construction
- Euro Cylinder Note: A feature of Securiturn™ when used in Euro Cylinders is that key access from outside will be prevented by turning Securiturn™ from the correct vertical position. Consequently, do not leave Securiturn™ in the inside cylinder of the main access door as key entry could be prevented
- New Zealand made

Options

- Provided complete with release key
- 5 pin and 6 pin cylinders
- Plated finishes include: polished brass and satin chrome

