



SECTION F Additional Security

Window Restrictors	F2
Window Bolts	F3 - F4
Door Bolts	F5 - F6
Door Security Accessories	F7

Additional Security

Pushlock Window Bolt



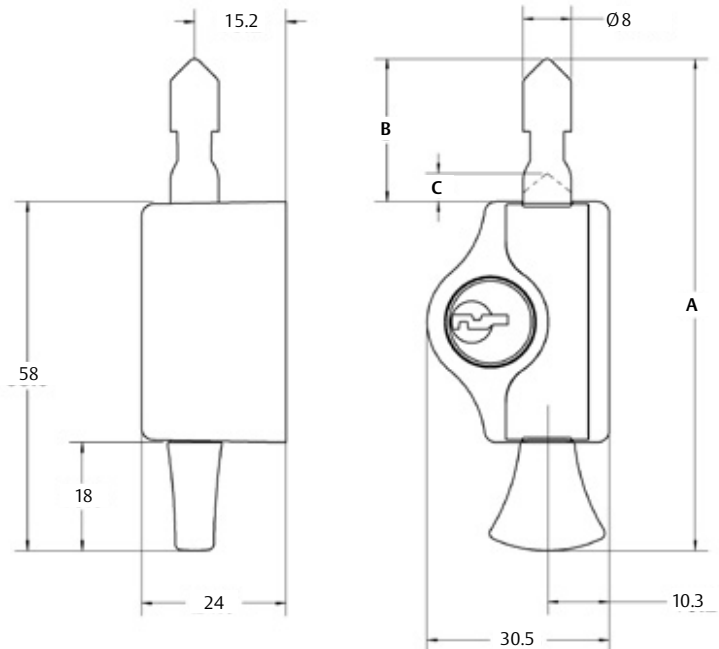
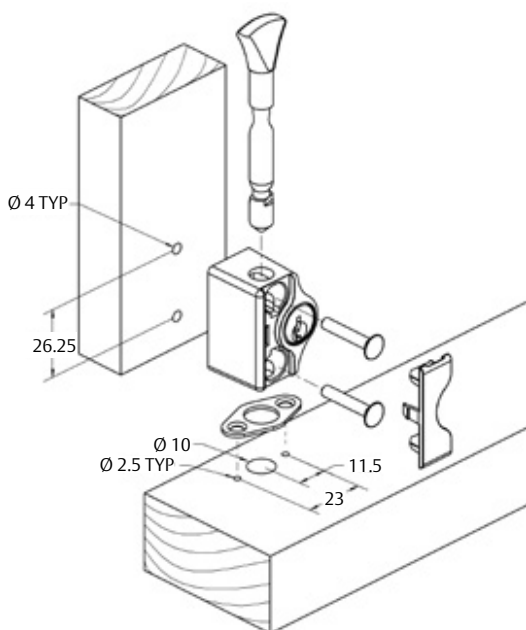
The Pushlock is a secure locking window bolt for deadlocking timber or uPVC awning, casement, sliding or double hung windows. The strongly constructed lock body provides maximum strength for any window that requires more security.

Features

- 8mm diameter bolt provides real security
- Reversible bolt to allow cylinder to be located on the left or the right of the lock body to suit application
- Concealed fixing for security and style
- Easy to install
- Stainless steel ferrule for added security
- Can be keyed alike to other ASSA ABLOY CYL4™ locks for one key convenience
- New Zealand made

Options

- Available in black and arctic white



	A Bolt length	B Bolt thrown length	C Bolt unthrown length
Standard bolt	81.5mm	24mm	10mm

Additional Security

Patiobolt Door Bolt



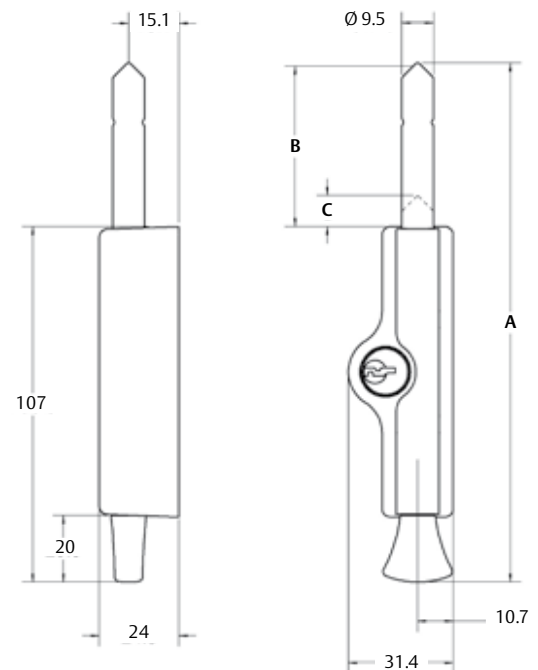
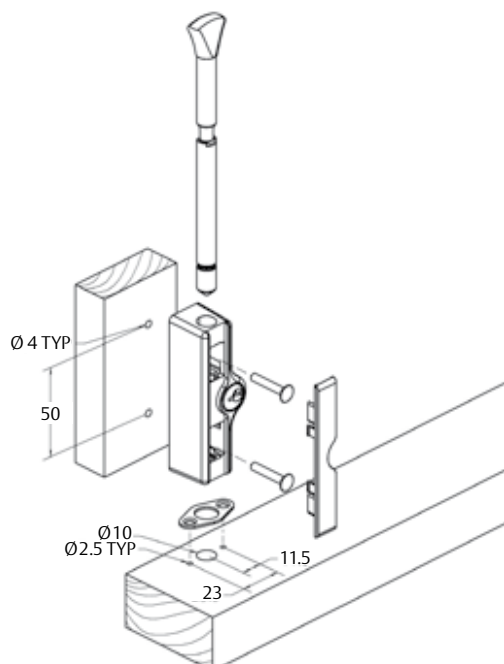
The Patiobolt is a secure deadlocking bolt for use with timber, aluminium and uPVC hinged, sliding or bi-fold doors.

Features

- 9.5mm heavy gauge bolt providing good security
- Deadlocking bolt for top security
- Reversible bolt allows cylinder to be located on the left or the right of the lock body to suit the application
- Bolt can be engaged with or without locking cylinder
- Bolt remains in the body when disengaged
- Concealed fixing for security and style
- Easy to install
- Can be keyed alike to other ASSA ABLOY CYL4™ for one key convenience
- Supplied with two ferrules to enable safe venting with the Patiobolt remaining in a bolted position
- New Zealand made

Options

- The base model can be enhanced to suit a variety of specialised applications by use of one of the bolt options available:
 - The standard bolt length is 155.5mm
 - The long bolt length is 185.5mm
 - The standard bolt thrown length is 50mm and the unthrown length is 9.5mm
 - The long bolt thrown length is 80mm and the unthrown length is 39.5mm
- Available in black and arctic white
- Easy to install



	A Bolt length	B Bolt thrown length	C Bolt unthrown length
Standard bolt	155.5mm	50mm	9.5mm
Extended bolt	185.5mm	80mm	39.5mm

Additional Security

Securichain Concealed Security Chain

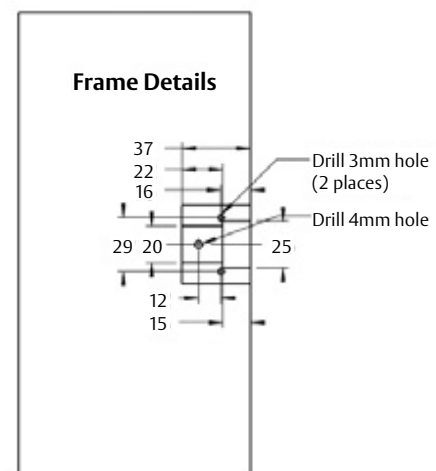
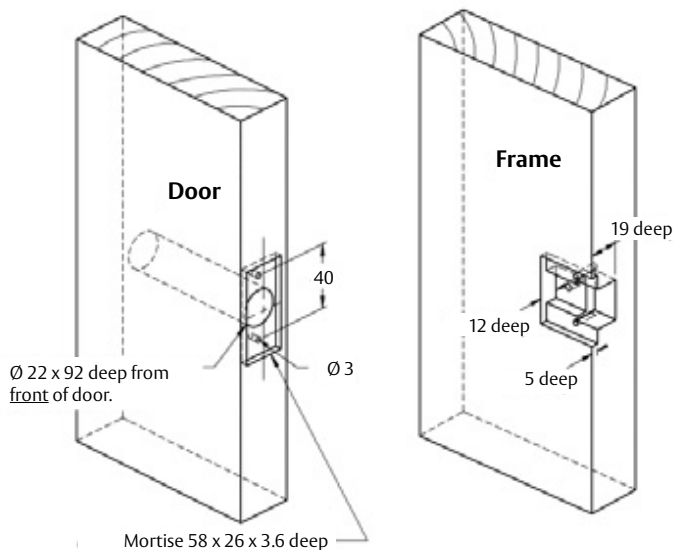
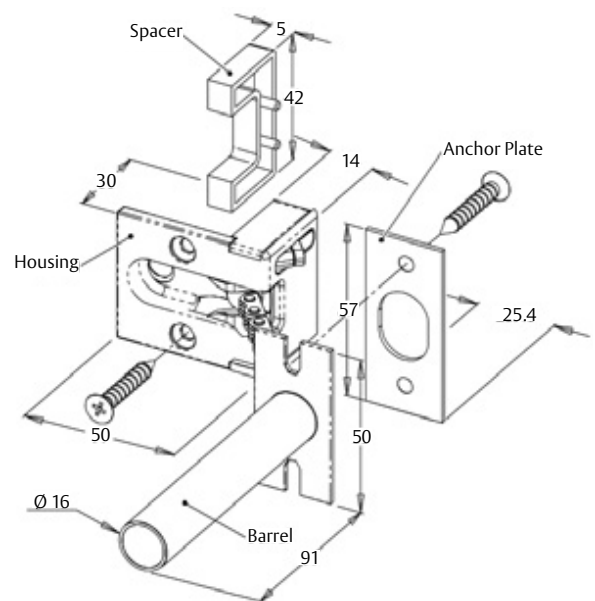
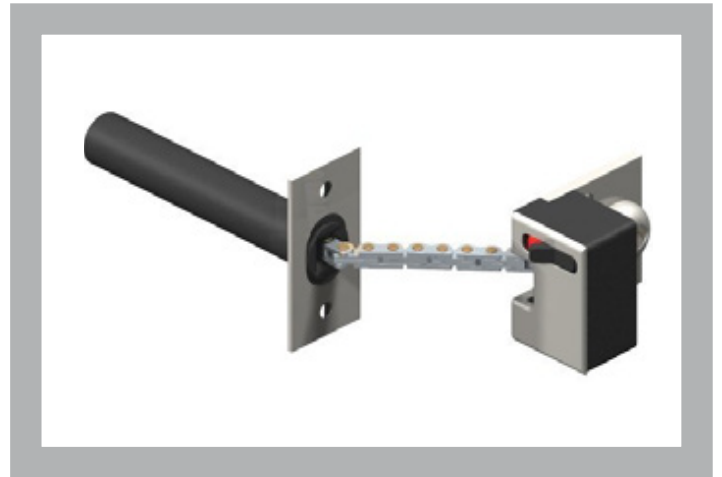
The Securichain is for use with standard hinged, inward opening doors with a minimum thickness of 34mm. The design and function of the product is ideal for use in residential or hotel applications to view before greeting a visitor.

Features

- Concealed fixing screws into the door frame
- Any impact forces are imposed in a sheer action of the fixing screws allowing a greater resistance
- Visual unlock indicator
- Activated by a simple on/off switch
- New Zealand made

Options

- Plated finishes include: polished brass, satin chrome and florentine bronze



Note: If architrave over 15mm and door over 40mm thick, locate centre of barrel hole 18mm in from inner edge of door

Additional Security

Securicloser Hidden Door Closer

The Interlock Securicloser provides automatic closure of timber or aluminium doors fitted with standard hinges. The closing power is adjustable without removing the unit from the door and can be set to door size and weight. The Securicloser is strong, durable, hidden from view and fits most standard doors.

Features

- Closes nuisance doors, stops heat loss and ensures privacy
- For use on doors up to 50kg (108lb). For doors above this weight, use multiple door closers
- Fixing position can be adapted to door design
- Installations can be reversed if more suitable for barrel to be inserted into door frame and frame plate fitted to door edge
- New Zealand made

Options

- Available in bronze

Note: The Securicloser is not suitable where limited air displacement or extremely draughty conditions exist

